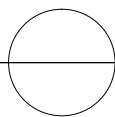


MATERIALS LIST

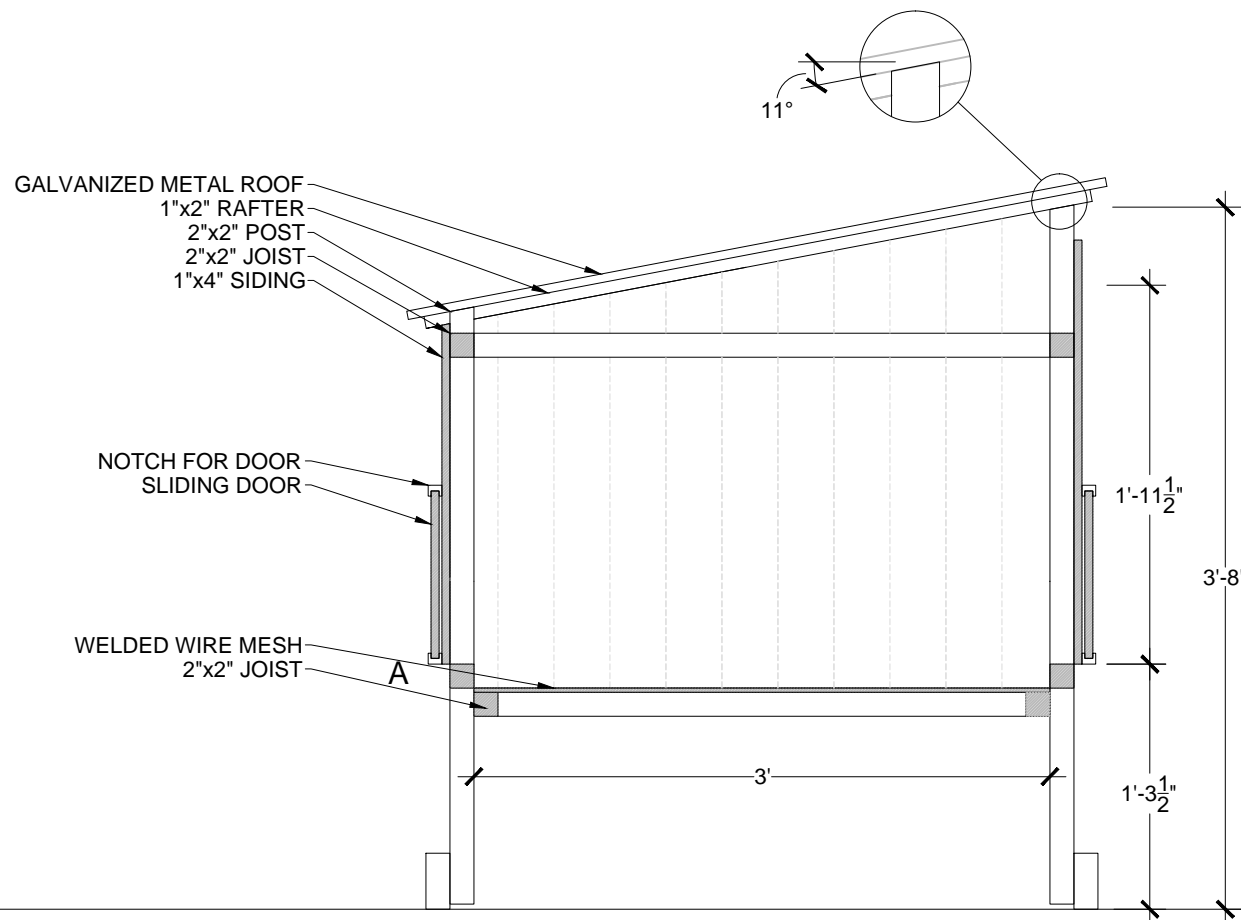
- Teks #9 x 1 in. Fine Steel Hex Head Sharp Point Roofing Screws
- Crown Bolt Zinc Plated #10 x 3/4 in. Flat Head Phillips Drive Wood Screw (100 Pieces)

- YARDGARD 1 IN. X 4 FT. X 50 FT. 20-GAUGE GALVANIZED POULTRY NETTING
- 2"x2" STUD
- 2"x6" JOIST
- EYE BOLT



CHICKEN TRACTOR - 1A

SCALE: 1" = 1'



MATERIALS LIST

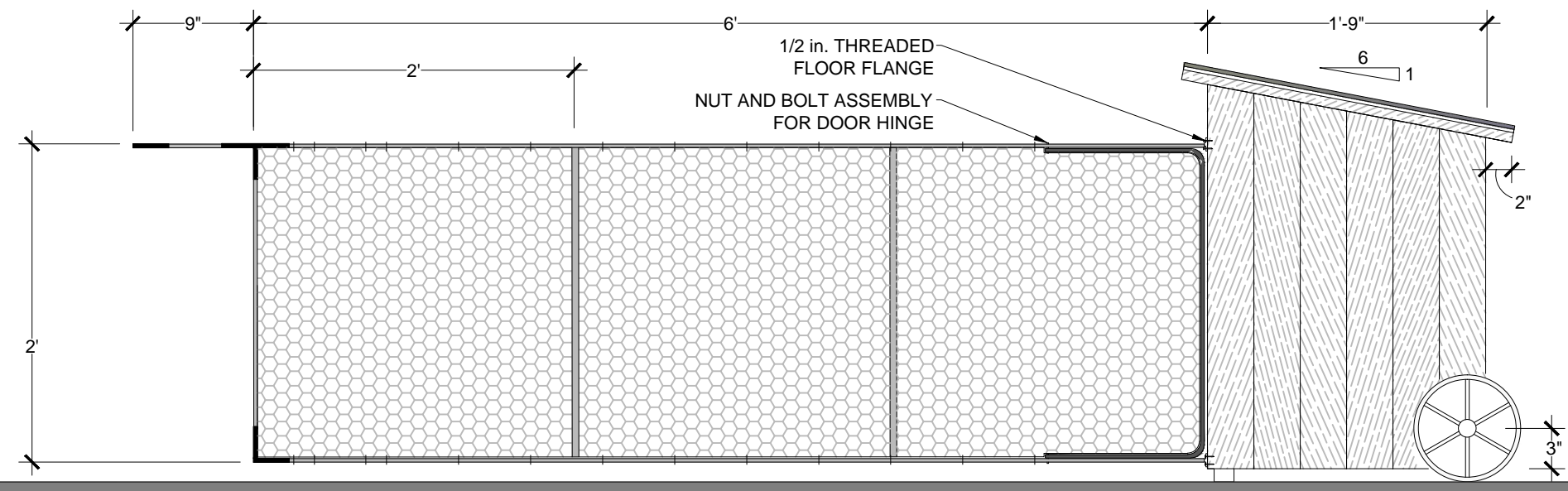
- Teks #9 x 1 in. Fine Steel Hex Head Sharp Point Roofing Screws
- Crown Bolt Zinc Plated #10 x 3/4 in. Flat Head Phillips Drive Wood Screw (100 Pieces)

PRODUCED BY AN AUTODESK EDUCATIONAL PRODUCT

PRODUCED BY AN AUTODESK EDUCATIONAL PRODUCT

PRODUCED BY AN AUTODESK EDUCATIONAL PRODUCT

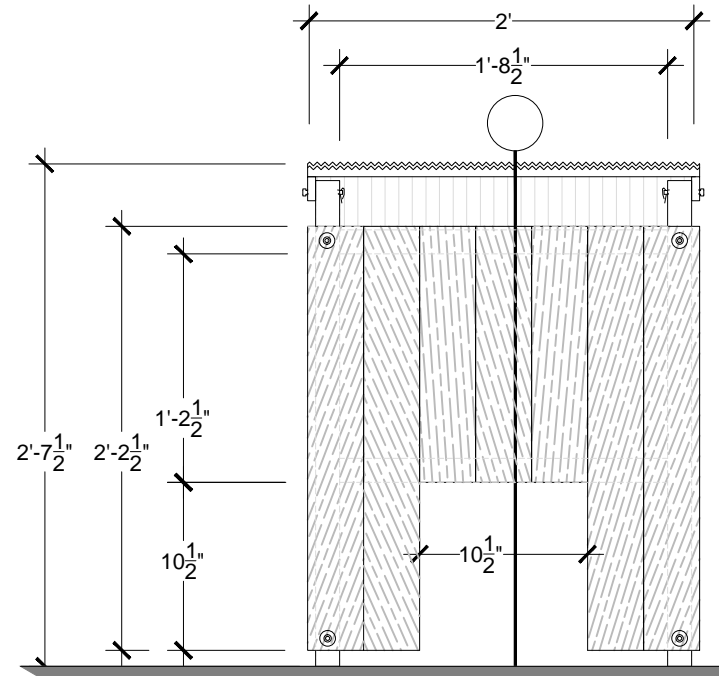
PRODUCED BY AN AUTODESK EDUCATIONAL PRODUCT



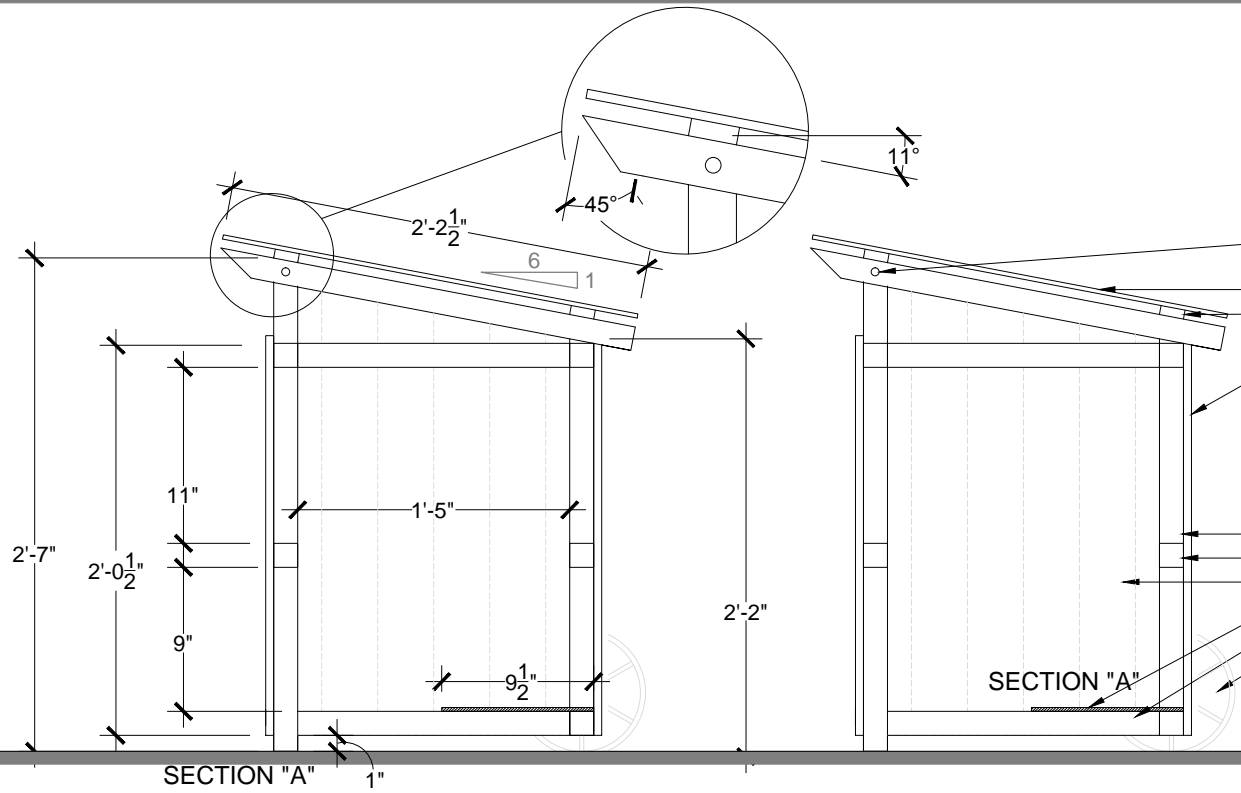
SIDE ELEVATION

MATERIALS LIST

- Teks #9 x 1 in. Fine Steel Hex Head Sharp Point Roofing Screws
- Crown Bolt Zinc Plated #10 x 3/4 in. Flat Head Phillips Drive Wood Screw (100 Pieces)
- Partner 6 in. x 1-1/2 in. Plastic Mower Wheel



FRONT ELEVATION

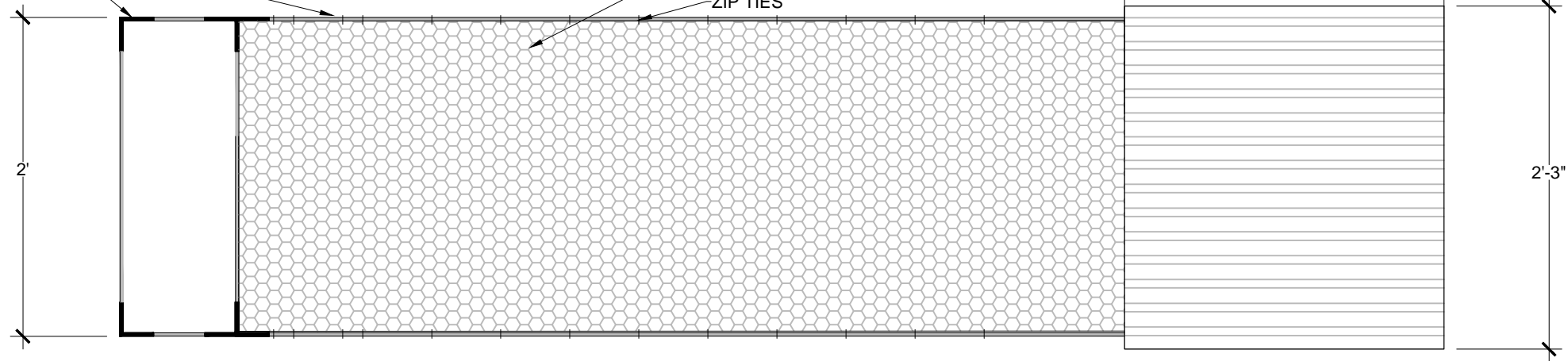


SECTION "A"

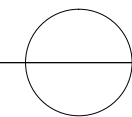
- ZINC PLATED 1/2" x 2-1/2" UNIVERSAL CLEVIS PIN
- GALVANIZED METAL ROOF
- 1"x2" RAFTER
- 1"x4" SIDING
- 2"x2" POST
- 2"x2" JOIST
- 1"x4" SIDING
- ROOSTING SHELF
- 2"x2" JOIST
- 6" DIA. WHEEL W/LAG SCREW & WASHER

- 1 in. PVC PIPE
- 1 in. PVC 90° ELBOW

- YARDGARD 1 IN. X 4 FT. X 50 FT. 20-GAUGE GALVANIZED POULTRY NETTING
- ZIP TIES



PLAN VIEW



CHICKEN TRACTOR - 2

SCALE: 1" = 1'

MARIO CAMBARDELLA | UGARDEN | 8 - 12 - 12